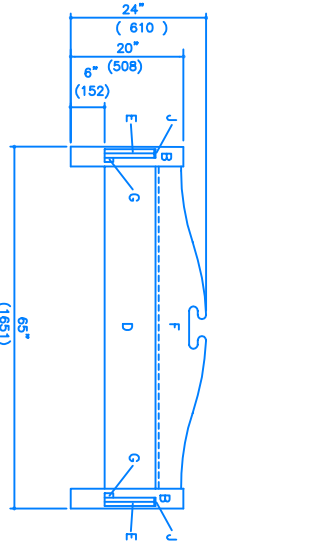
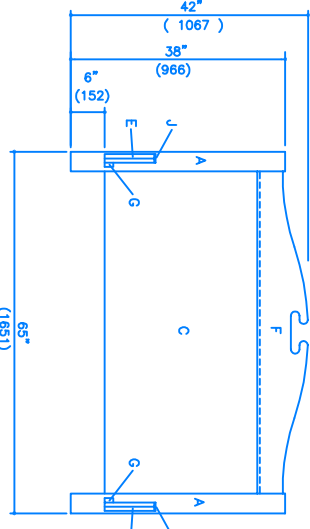
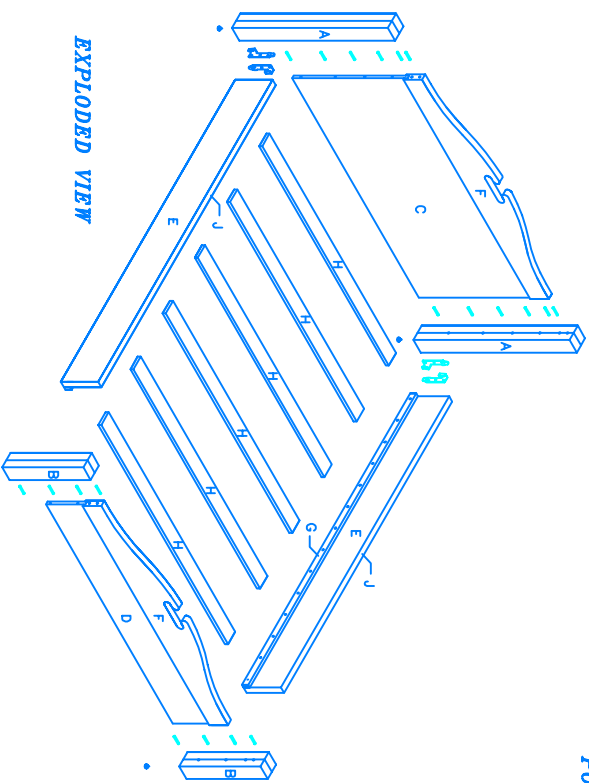
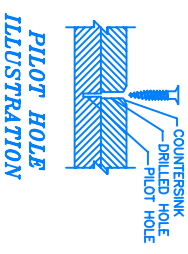


- 5) Assemble headboard pieces FC and A with six 3/8" x 2" long dowels in each side. Drill the holes in pieces FC first to a depth of 1" and then mark piece A with metal dowel center pins. Ensure that the top of piece A is 1/2" above the ends of piece F. Dowel ends may need to be sanded first to ensure correct fit. Apply glue to the dowel ends and insert into pieces F and C. Apply glue to dowel ends, press pieces A onto dowels and clamp with pipe clamps. Wipe off excess glue. Repeat for FB and D using four dowels in each side.
- 6) Glue two pieces E together to form a side rail. Attach a piece J (solid wood edging) by gluing to top of piece E. Repeat for second side rail. Attach pieces G to pieces E with the bottom edge of G flush with the bottom edge of E, pre-drill with a 1/8" drill bit, glue and screw the rail with 1/2" long screws. Stand the headboard and footboard up, supported, about 90° apart. Fit in pieces E and, using a square, ensure the bed is square. Carefully, without disturbing the angles, mark the location on E where the rail hardware will attach. Remove pieces E from the bed, and attach the hardware using manufacturer's hardware, ensuring there is enough space to facilitate easy removal and replacement of the rail (Details C and D). Re-insert pieces E. Ensure the bed remains square while you attach these rails. Lay the pieces H in the bed as shown (Fig 6). DO NOT GLUE OR NAIL THESE PIECES IN, THEY REMAIN LOOSE. Attach rail glides to the bottom of bed posts.
- 7) Finish sand the bed. Stain and varnish, or oil, following manufacturer's instructions.

On Manufacturer:

Because this is a solid wood project, we recommend you build it to match the rest of your bedroom furniture. Use only top quality material, as free of knots as possible, especially for the 1x4 pieces.

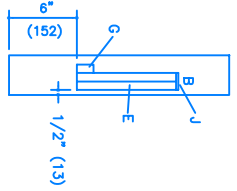


HEADBOARD

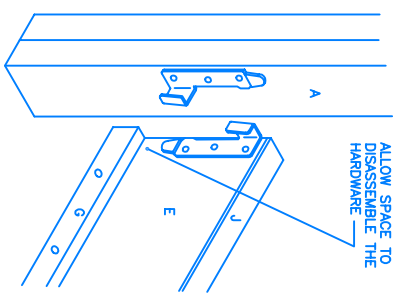
FIGURE 5

FOOTBOARD

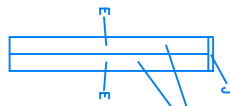
TO ENSURE PROPER FITMENT OF POST AND RAILS, ALLOW BOTH HEADBOARD AND FOOTBOARD TO BE ASSEMBLED IN THE LOCATIONS SHOWN BELOW, REFERENCE TO THE MANUFACTURER'S INSTRUCTIONS.



BED RAIL POSITIONING DETAIL C



KNOCKDOWN BED FITTINGS DETAIL D



SIDE RAILS ASSEMBLY DETAIL B

TWO PIECES E GLUED TOGETHER WITH SOLID WOOD EDGING PIECE J TO MAKE EDGES ARE EVEN SAND SMOOTH WHEN GLUE HAS DRIED.

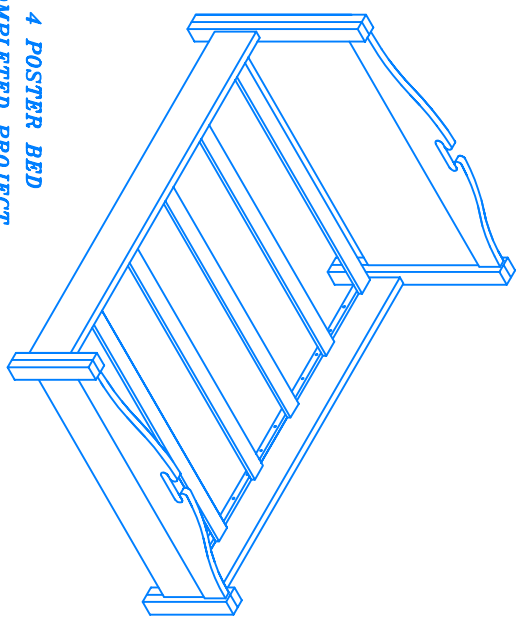


FIGURE 6